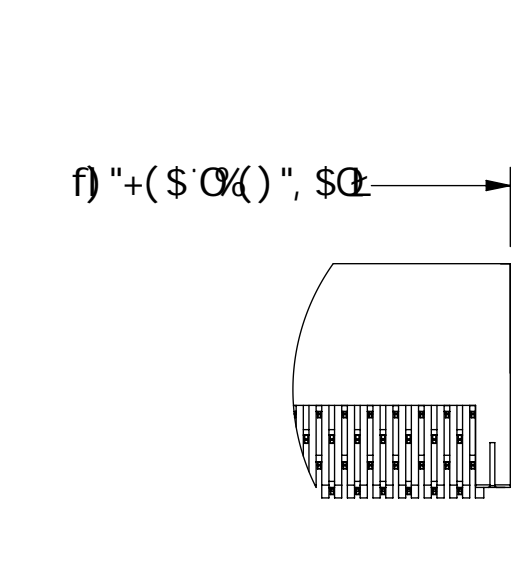
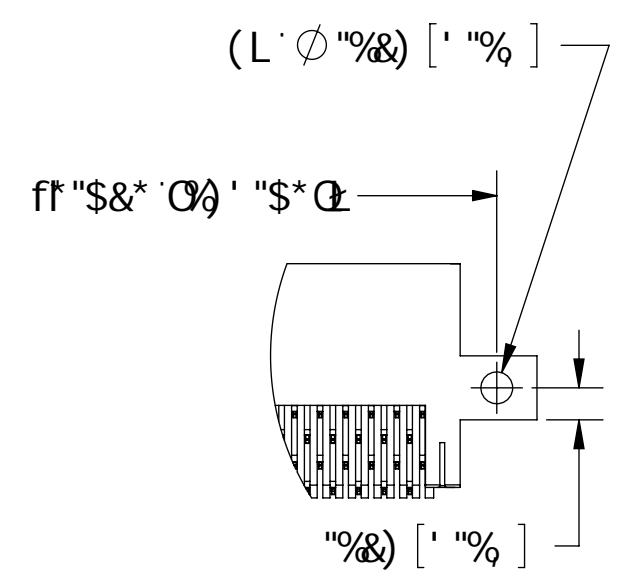


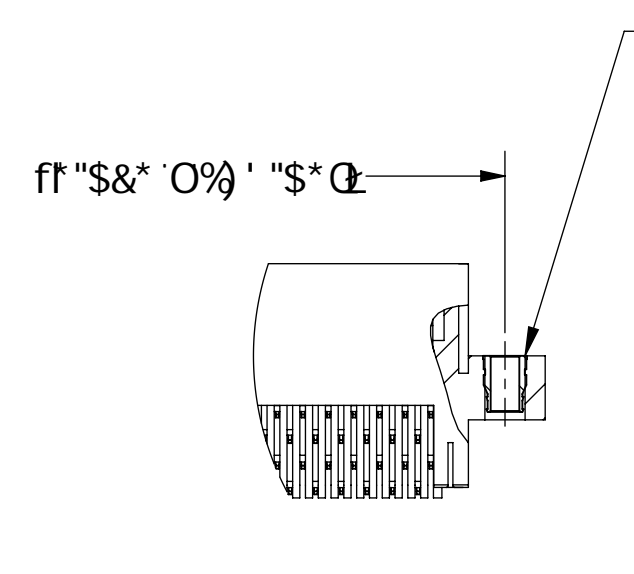
S'S'6%\$* 8S'S8!'G* &%



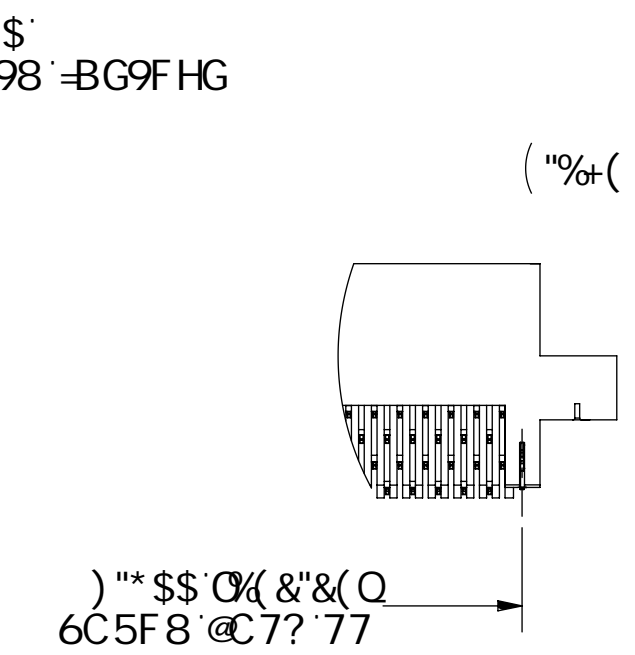
S'S'6%\$* 8S'SB!'G* &%



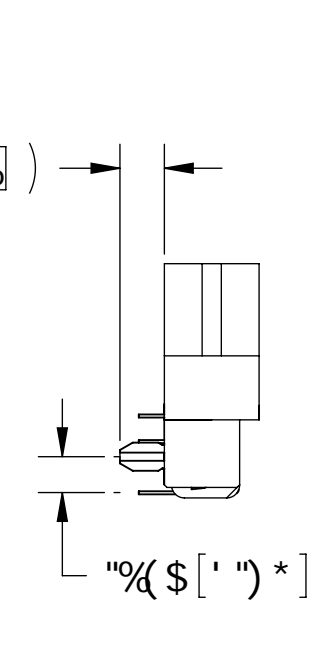
S'S'6%\$* 8S'SG!'G* &%



S'S'6%\$* 8S'SH!'G* &%

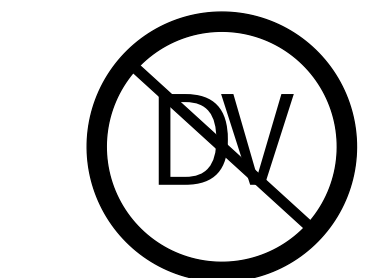


S'S'6%\$* 8S'SF!'G* &%



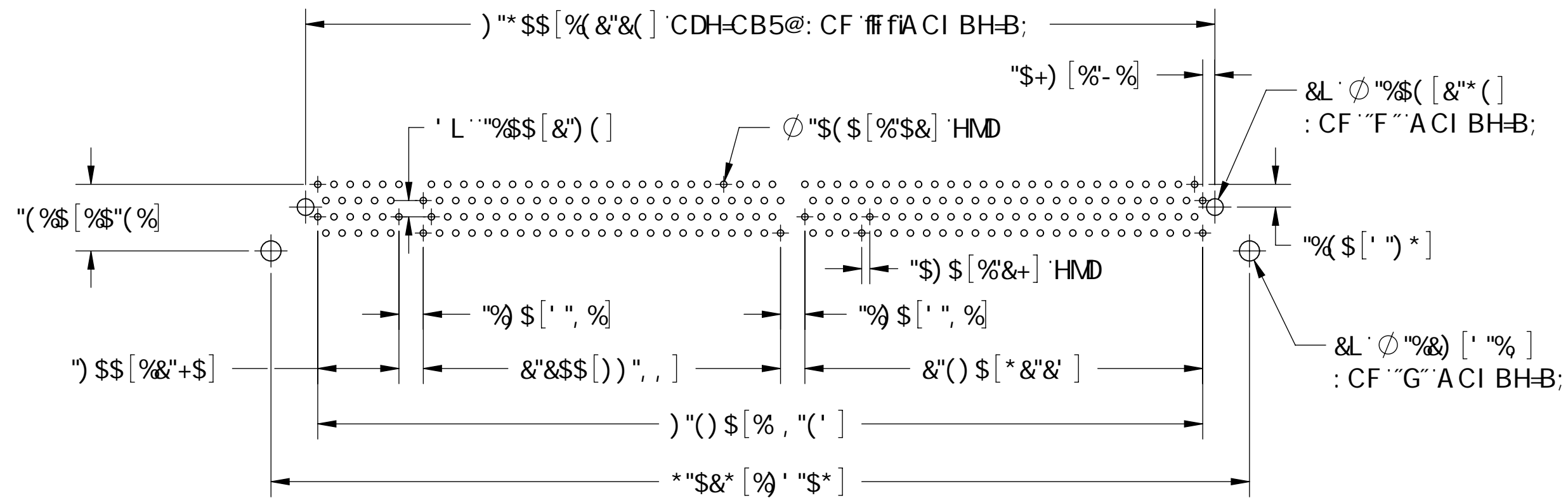
71 GHCA 9F '7CDM

ACI BHB; 'GHM@9G

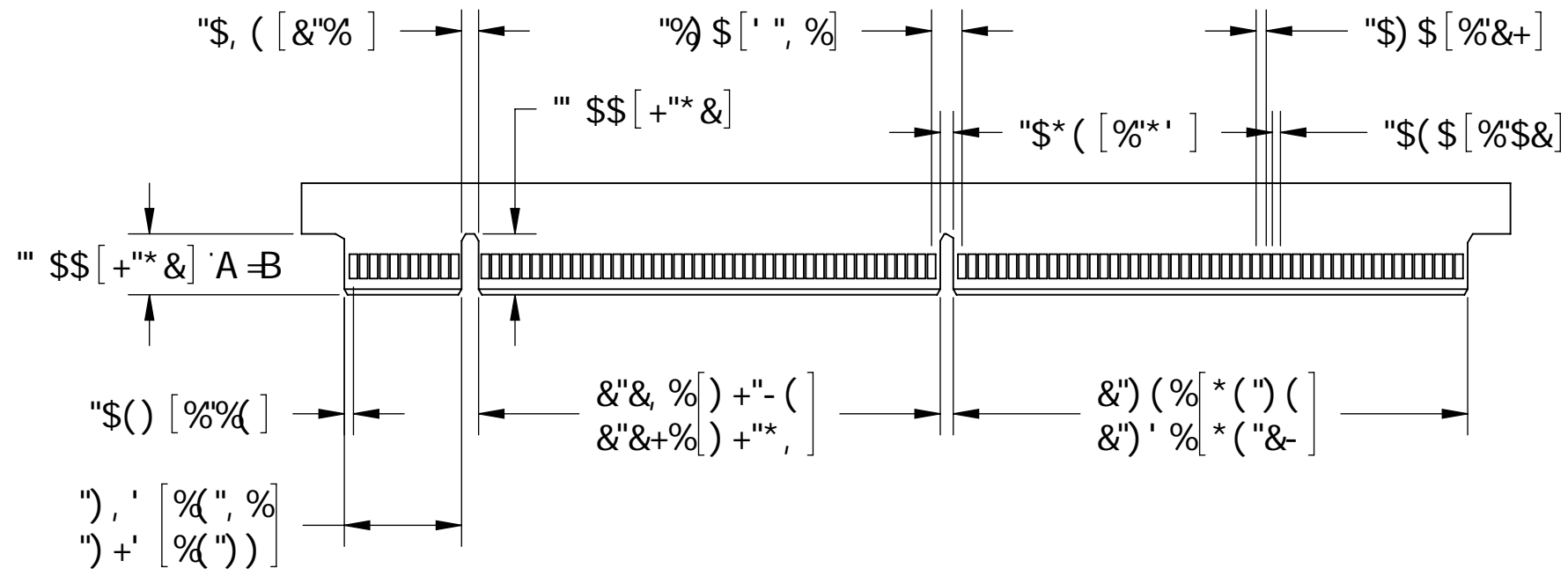


Tc<G'7CAD@5BH

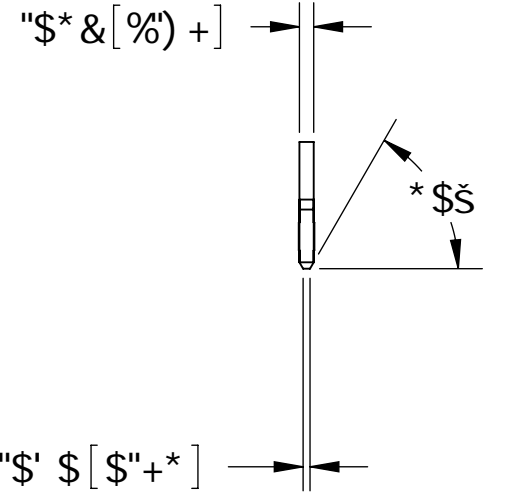
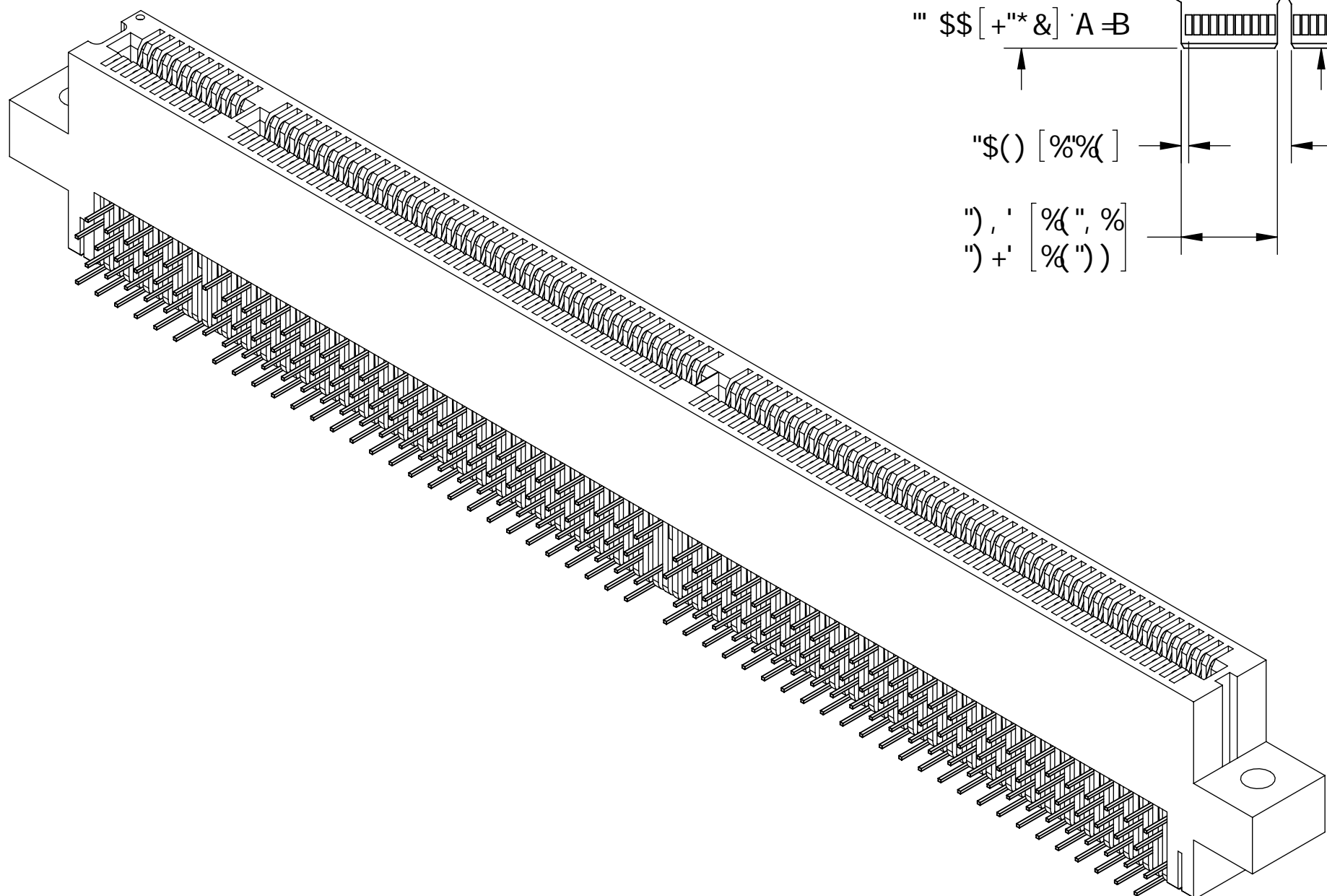
SULLINS CONNECTOR SOLUTIONS	
0000000000000000000000	
D5FHBI A 69F	
S'S'6%\$* 8S'SI'G' &%FB<5Z8<6L	
GNP	8K; "BC"
7	ôFè
G7 5@. '&.%)	
G<99H&C: "	



D76@5MCI HZ7CBB97HCF G-89



85I ; <H9F 75F 8@5MCI H



7I GHCA 9F 7CDM



Tc<G'7CAD@5BH

D5FHBI A 69F S'S6%* 8S'S'G' & zFB<5ZB<6L		
GNP 7	8K ; "BC" ÔFèi ì	F9J Ó
G7 5 @. "%%	G<99H' 'C: "	